

KLX AND KLX LS

SALT CHLORINATION AND CONTROL FOR RESIDENTIAL POOLS



Cl₂
Production



Display
graphic



Up to
50 W



Salt water/
sea water
compatible



Filtration
control



Modbus
protocol



KLX LS

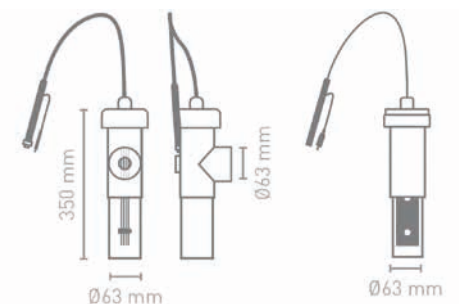
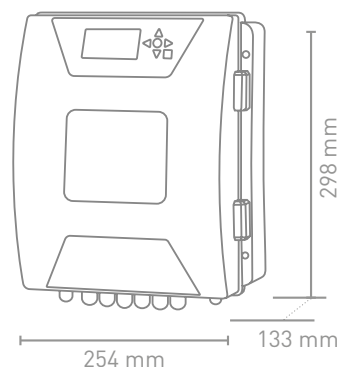
KLX



pH kit including dosing pump



Rx kit



As defined by EN 17645.
Go to report pages to see
the complete detail by item.



➔ Available in low salinity

- ➔ Compact device, suitable for use in underground technical equipment boxes
- ➔ Graphics display, displays production of Cl₂ and other parameters
- ➔ Wide range of outputs: 8, 16, 22, 33 and 50 g/h (Equivalent 15 g/h and 30 g/h in low salinity)
- ➔ Timer switch for filtering and lighting (possible for lights up to 50W)
- ➔ Salt level alert
- ➔ Adaptable configuration: extension kits for pH, Rx, Temperature, Wi-Fi
- ➔ Swimming pool management App (requires Wi-Fi module)
- ➔ Controls the speed of variable speed pumps (KS EVO and KSE, variable speed version)
- ➔ Modbus RS485 protocol included
- ➔ Flow switch included



CONNECTIVITY MODULE OPTIONAL (Wi-Fi OR ETHERNET)

- ➔ Using our remote control modules, all our equipment can be connected via Wi-Fi or ethernet – from anywhere in the world
- ➔ Take the control of your pool by voice. Compatible with Alexa and Google Assistant
- ➔ Individual customers can monitor, control and adjust all pool components and parameters (control of chlorine production, filtration timing and lighting), no matter where they are in the world, using the application that has been developed exclusively by Kripsol: MyKripsolPool
- ➔ Pool maintenance professionals can control their fleet of pools, with no limitations and no need to visit the pools
- ➔ A pool will automatically generate statistics about its parameter history
- ➔ Pool maintenance equipment can send email alerts that have been configured in advance by customers



Description	KLX 8	KLX 16	KLX 22	KLX 33	KLX 50	KLX 11S	KLX 2LS
Production (g/h)	8	16	22	33	50	Equiv. 15	Equiv. 30
Pool size up to (m ²)	30	75	100	150	200	60	120
Salt concentration	3 to 100 g/l				1.5 to 100 g/l		
Display	Graphics display shows present production, cover, pH*, mV*, temp*						
Protection	IP65						
Language selection	GB - FR - SP - DE - IT - CZ - PT - NL - PL - HU - RU						
Superchlorination mode	●	●	●	●	●	●	●
Manual adjustment of Cl	●	●	●	●	●	●	●
Lighting management (supply up to 50W)	●	●	●	●	●	●	●
Filter pump / VSTD pumps management	●	●	●	●	●	●	●
Cover detection	●	●	●	●	●	●	●
Smart mode: adjustment of Cl	●	●	●	●	●	●	●
Gas detector	●	●	●	●	No	●	●
Flow Switch	●	●	●	●	●	●	●
Self-cleaning	Programmable up to 999 min						
Alarms	Low production / no flow / AL3 for pH injection						
Control box dimensions	254 x 298 x 133						

OPTIONS AVAILABLE

Available Options	Ref.
pH kit	BKPER-OPTION-PH (plastic premium probe) / BGKPER (glass probe) - (1.5 L/h peristaltic pump)
ORP kit	E-OPTION-REDOX (plastic premium probe) / EG (glass probe)
Temperature kit	T-OPTION-TEMP (give access to smart filtration mode)
WiFi module	RS4WI-OPTION-W
Ethernet module	RS4NET-OPTION-L
Pool Terre	KV02